

Hillmar

Hillmar Industries Ltd.

7371 Vantage Way
Delta, BC V4G 1C9
P:604 946-7115 F:604 946-0329
info@hillmar.com www.hillmar.com

**CABLE REEL MCC
MCC-IEC-550-ME-25-MYR
MAGNETIC COUPLING CAGE
SLS & MKTG
ENGLISH**

Sheet Number:

Job Number:

Form Number:
629-822-75694PT

Company / Project Reference:

Date.:

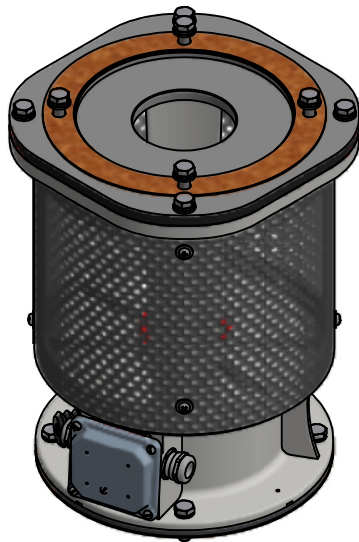
Page.:

1 OF 1

Document Package No.:

Rev.:

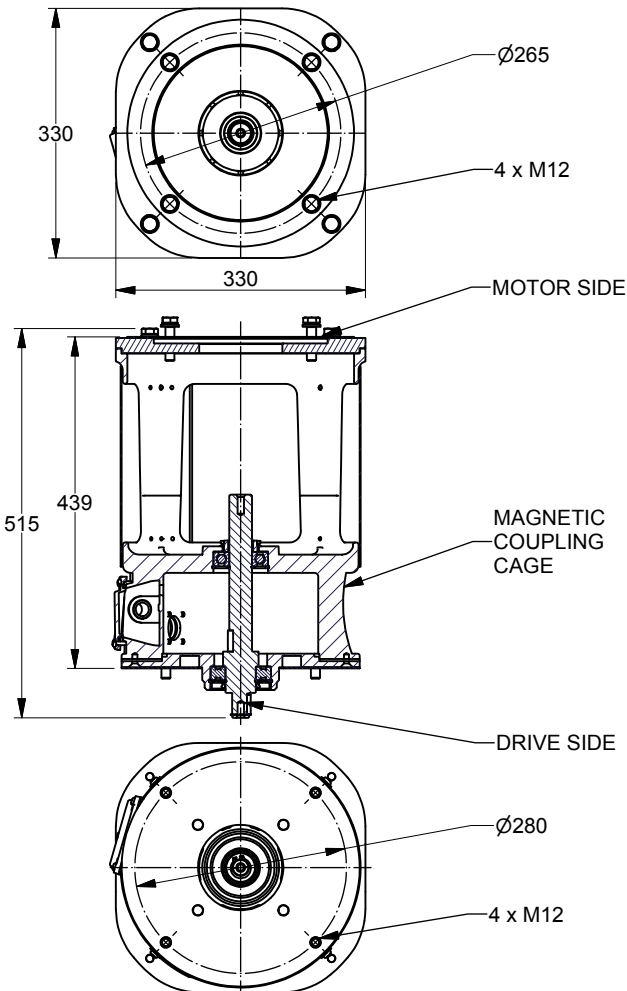
Inventor Drawing



FEATURE	CODE
Magnetic coupling cage	MCC
Motor type	IEC
Motor size	550
Magnetic eddy coupling	ME
Output Torque (Nm)	25
Electric brake	MYR

Example for ordering	MCC-IEC-550-ME-25-MYR
-----------------------------	------------------------------

TECHNICAL DATA	
Weight [kg]	45
Motor Mounting Bolts	4 X M12
Drive Mounting Bolts	4 X M12



NOMINAL SPECIFICATION

NOTES

All figures are nominal figures only
All dimensions are in millimeters

Document Template #710-101-62058

** ALL TECHNICAL DATA IS SUBJECT TO CHANGE WITHOUT NOTICE **
Hillmar works have a fully registered ISO 9001-2008 quality assurance programme (QCB #01-1525)

C:\vaut_workspace\Hillmar\HILLMAR PRODUCTION\06 CABLE REEL\CABLE REEL PART10700-6\07006008 CRPRTS\02 SPC-SHT-CRPRTS\03 MCC\621-822-75694PT MCC-IEC-550-ME-25-MYR.idw